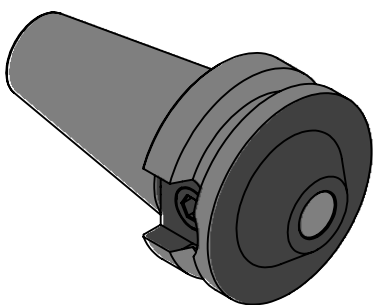
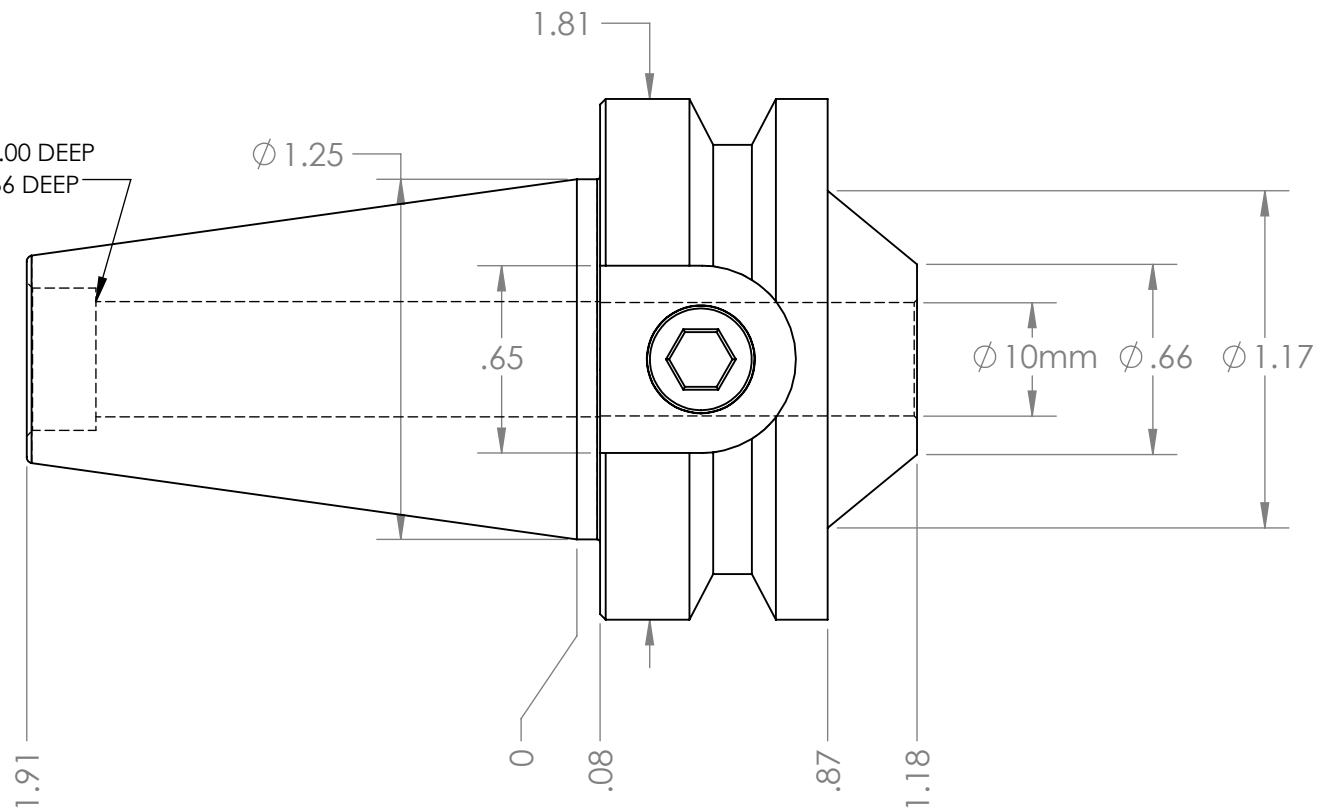


M12x1.75 THREAD x 1.00 DEEP
C'BORE DIA .492 x .236 DEEP



NOTES:
WORKS ON ALL BT30 MACHINES
HOLDER USES 3/8-24 SET SCREW, PART #SS150
FOR MORE PRODUCT DETAILS PLEASE GO TO MARITOO.COM
AND SEARCH ITEM # LISTED ON THIS PRINT

MARITOO

WWW.MARITOO.COM

ITEM#

BT30 EM10-30

Made in USA